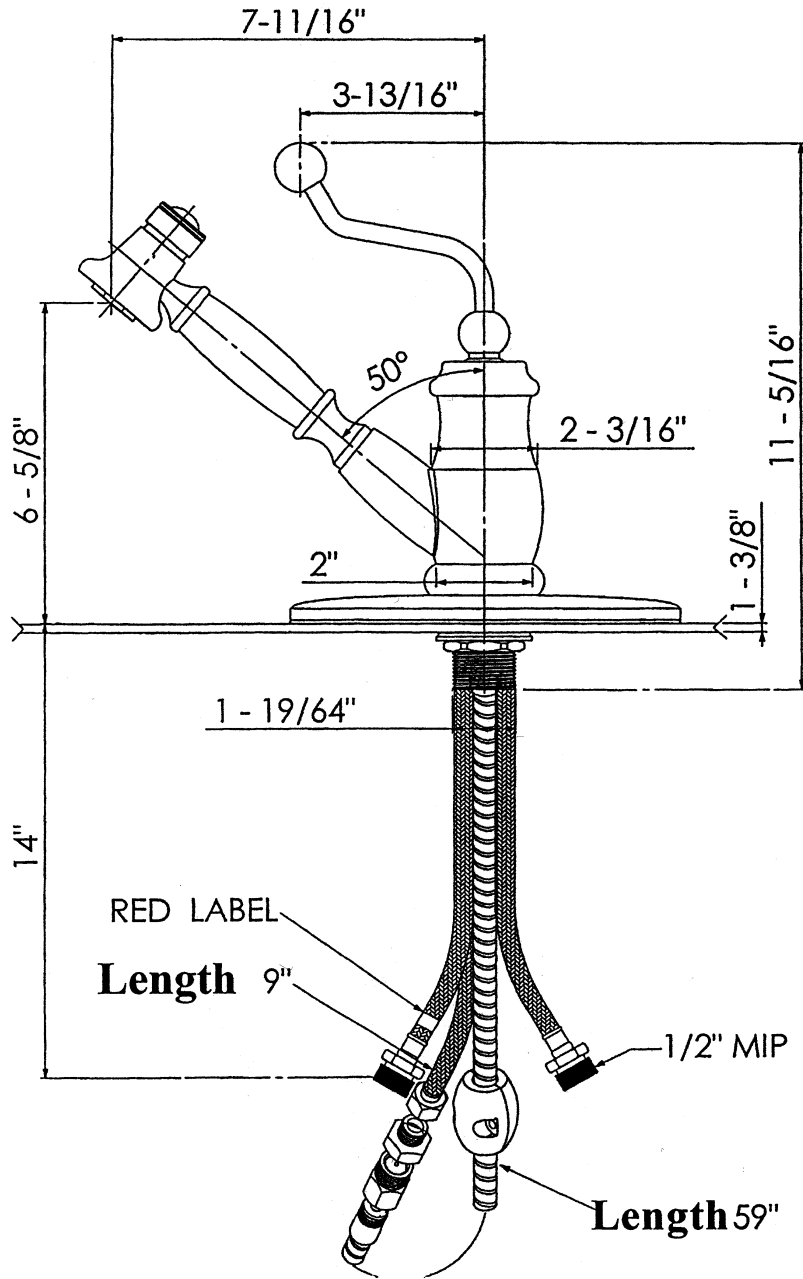




PROJECT _____
 ARCHITECT _____
 BUILDER _____
 CONTRACTOR _____
 QUANTITY _____



Polished Chrome
 (PVD) Satin Nickel
 (PVD) Polished Brass
 (PVD) Polished Nickel
 San Marco Bronze
 Antique Copper

Candelabra **Item # 1200**

931 West 19th Street • Chicago, IL 60608 • Visit our Website @ www.hicogroup.com
 Phone: (312) 733-3926 • Toll Free (800) 441-4426 • Fax: (312) 733-4220