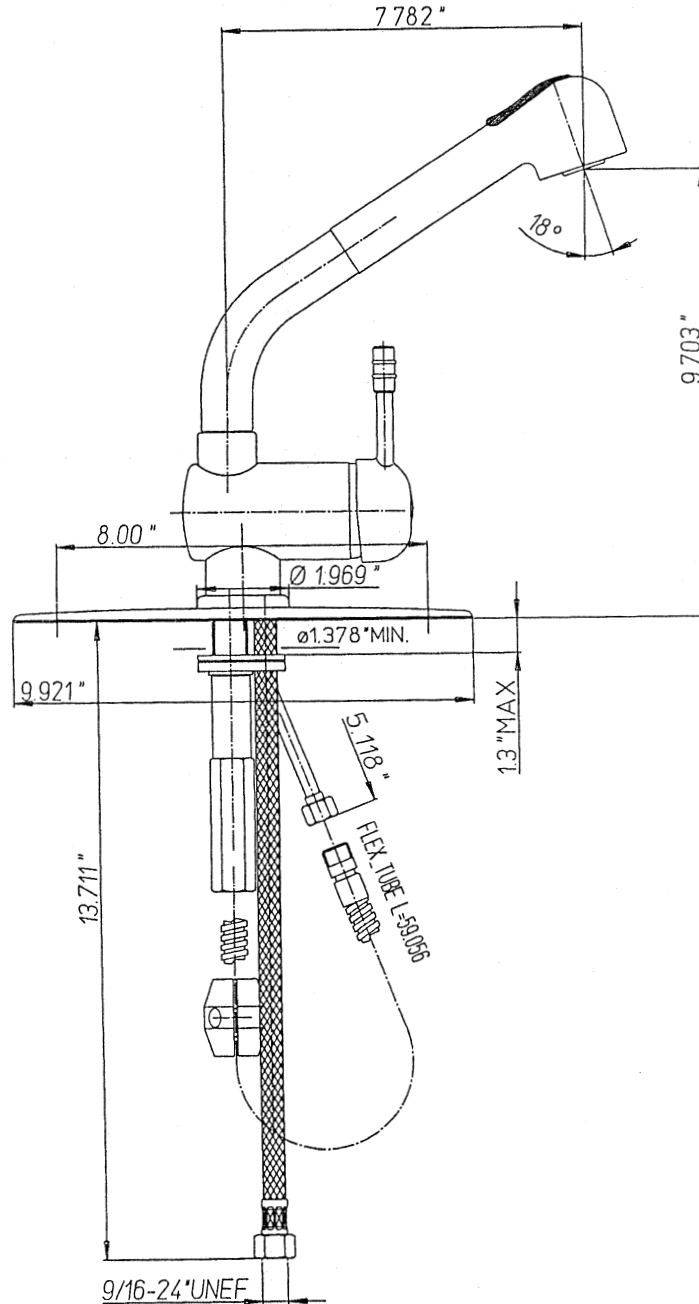




PROJECT \_\_\_\_\_  
 ARCHITECT \_\_\_\_\_  
 BUILDER \_\_\_\_\_  
 CONTRACTOR \_\_\_\_\_  
 QUANTITY \_\_\_\_\_



Polished Chrome   
  (PVD) Satin Nickel   
  (PVD) Polished Brass   
  San Marco Bronze  
 Antique Copper   
  (PVD) Polished Nickel

*Contorno II* **Item #5100**

931 West 19th Street • Chicago, IL 60608 • Visit our Website @ [www.hicogroup.com](http://www.hicogroup.com)  
 Phone: (312) 733-3926 • Toll Free (800) 441-4426 • Fax: (312) 733-4220