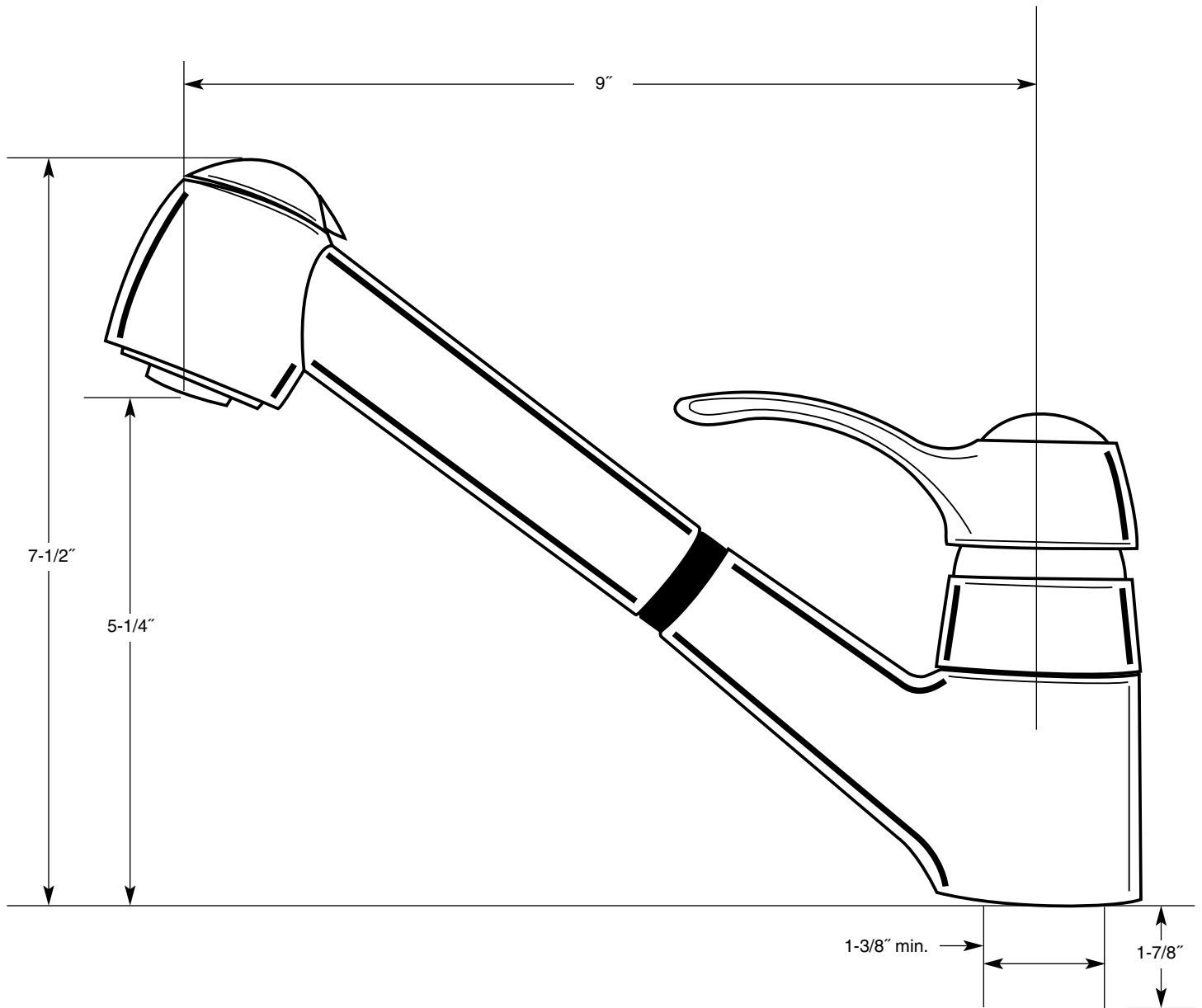




PROJECT _____
ARCHITECT _____
BUILDER _____
CONTRACTOR _____
QUANTITY _____



Polished Chrome Satin Nickel

Rose **Item # 1050**

931 West 19th Street • Chicago, IL 60608 • Visit our Website @ www.hicogroup.com
Phone: (312) 733-3926 • Toll Free (800) 441-4426 • Fax: (312) 733-4220