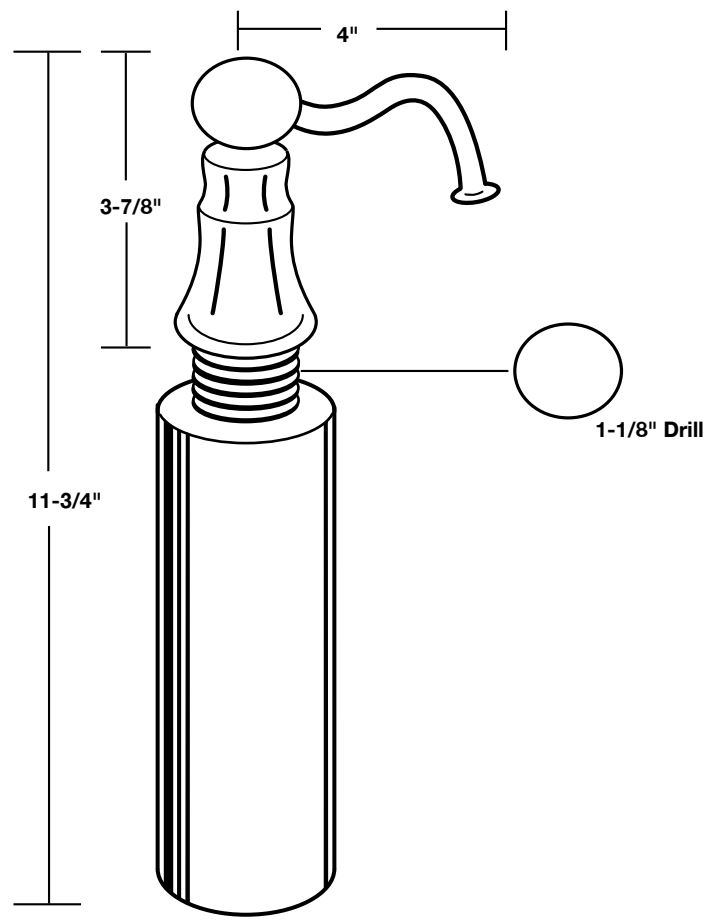
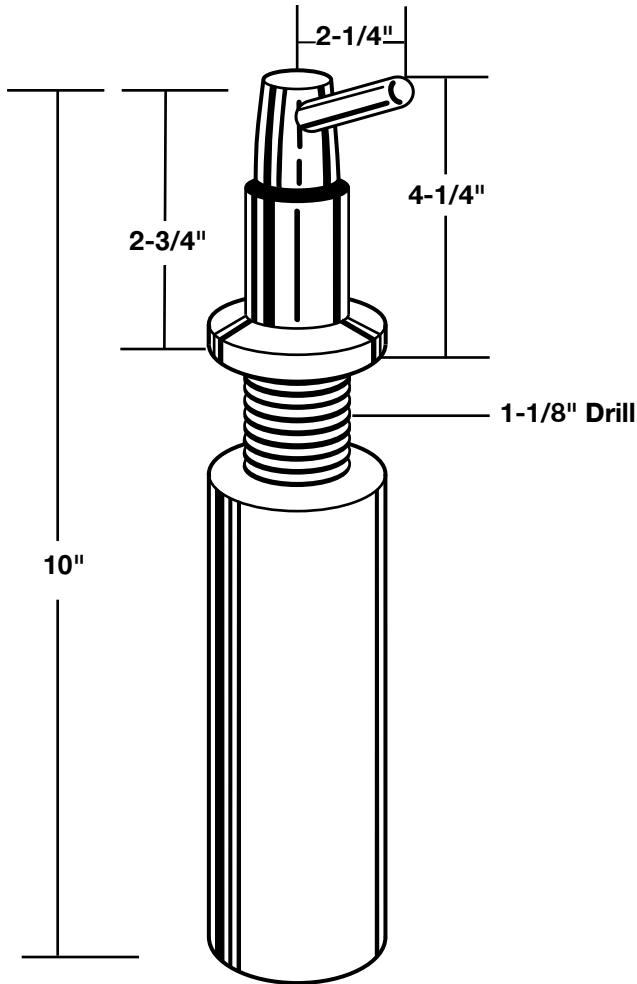




PROJECT _____
 ARCHITECT _____
 BUILDER _____
 CONTRACTOR _____
 QUANTITY _____



___ Polished Chrome ___ (PVD) Satin Nickel ___ (PVD) Polished Brass ___ (PVD) Polished Nickel
 ___ San Marco Bronze ___ Antique Copper

Soap Dispensers **Item # 9500, 9510, 9505, 9900**

931 West 19th Street • Chicago, IL 60608 • Visit our Website @ www.hicogroup.com
 Phone: (312) 733-3926 • Toll Free (800) 441-4426 • Fax: (312) 733-4220